

SIDE MILK REFRIGERATOR FOR TANGO ST



Ref: 871024
(FST9)

Side milk refrigerator for up to 9 liter milk containers for TANGO ST

SIDE MILK REFRIGERATOR FOR TANGO ST

Main Features

- Additional Tango® ST Fridge milk refrigerator with a removable 9 liter milk container and a built-in cooling unit that consistently maintains cold milk temperatures.
- Supply, heating and foaming of fresh milk for creating delicious hot or cold drinks with milk or frothed milk.

Construction

- The design of the milk refrigerator is in line with the Tango® SOLO ST, 1 group full-automatic and Tango® DUO ST, 2 group full-automatic.
- Efficient insulation all around.
- Internally rounded corners for easy cleaning.
- Built-in cooling unit.
- Digital display to set temperature, control self-defrosting, milk level warning.
- Cup tray on top provides large storage.

SIDE MILK REFRIGERATOR FOR TANGO ST

Electric

Supply voltage:

871024 (FST9) 230 V/1N ph/50 Hz

Electrical power max.: 0.05 kW

Current consumption: 0.23 Amps

Stekker type Kabel zonder stekker

Key Information:

External dimensions,

Width: 267 mm

External dimensions,

Depth: 500 mm

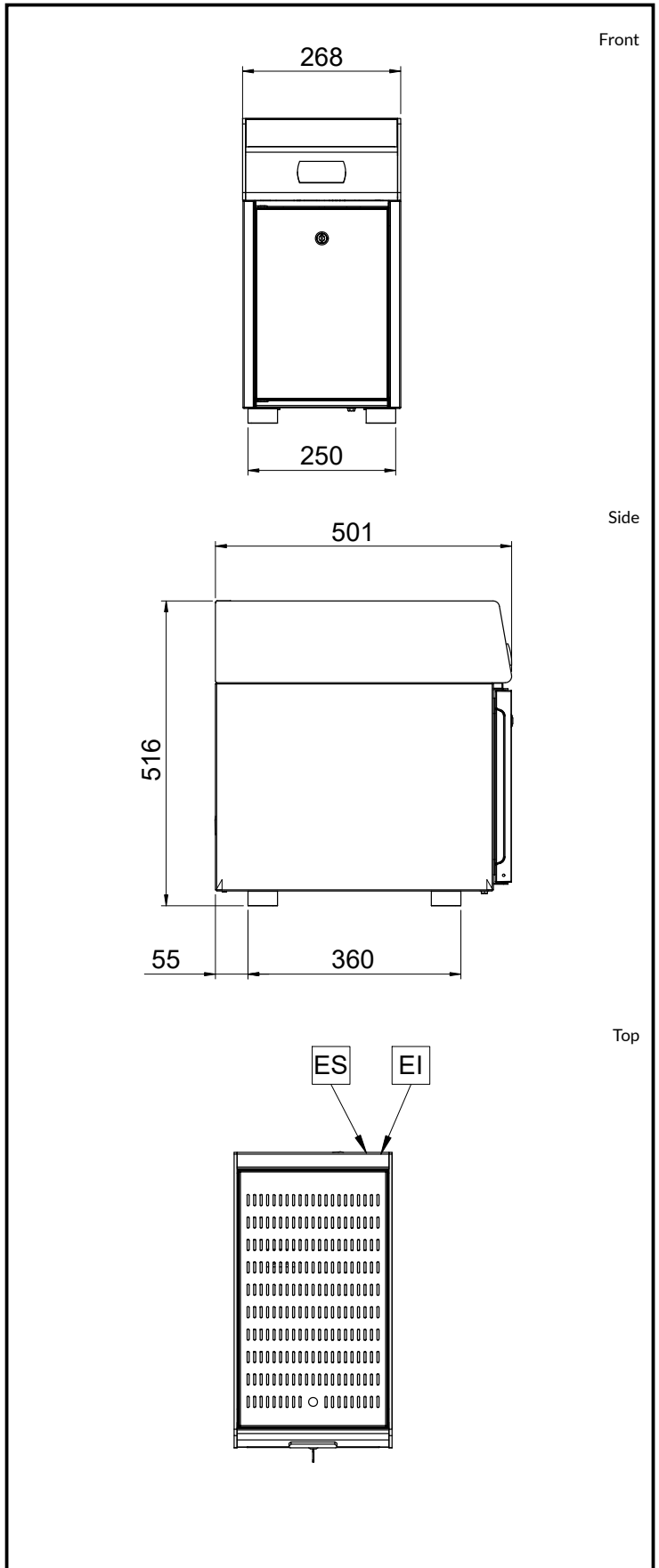
External dimensions,

Height: 515 mm

Net weight: 25 kg

Refrigeration Data

Refrigerant type: R600a



The company reserves the right to make modifications to the products without prior notice. All information correct at time of printing.

2022.12.13

Part of  Electrolux Professional Group

UNIC